

1.

3996



x8

3989



x4

4066

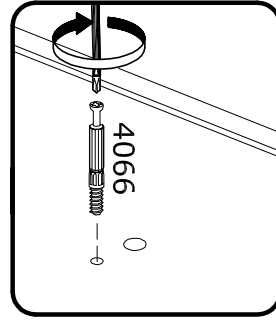
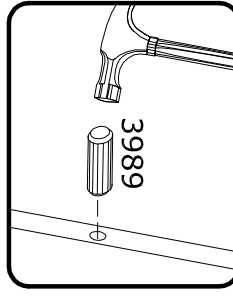
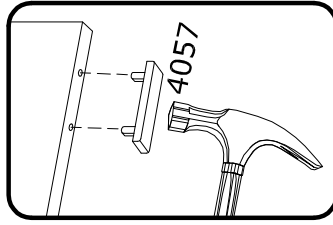
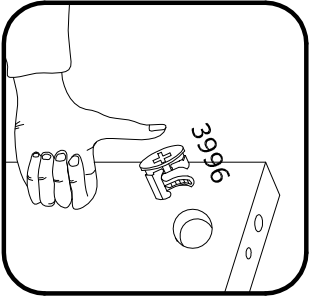
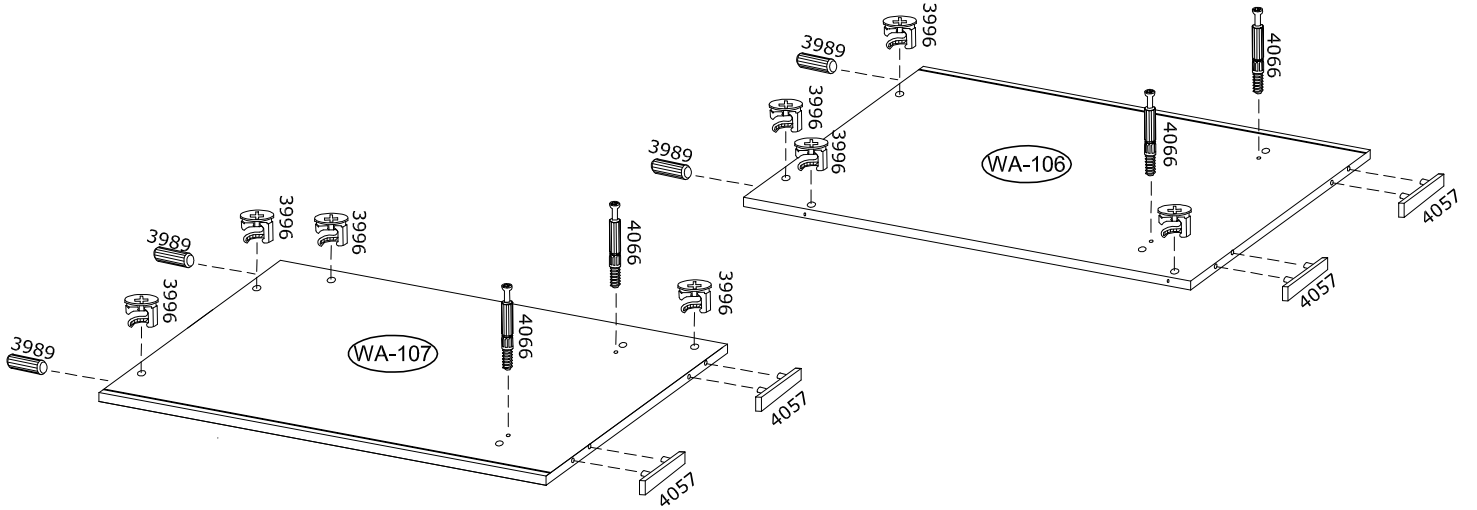


x4

4057



x4



2.

3996



x8

3989

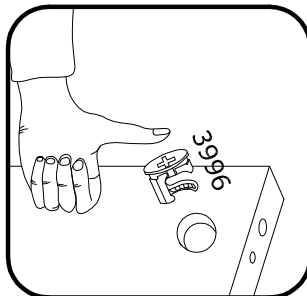
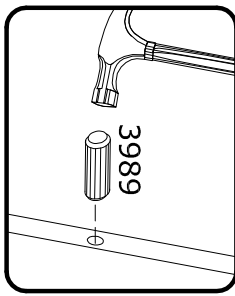
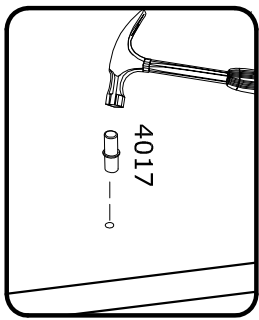
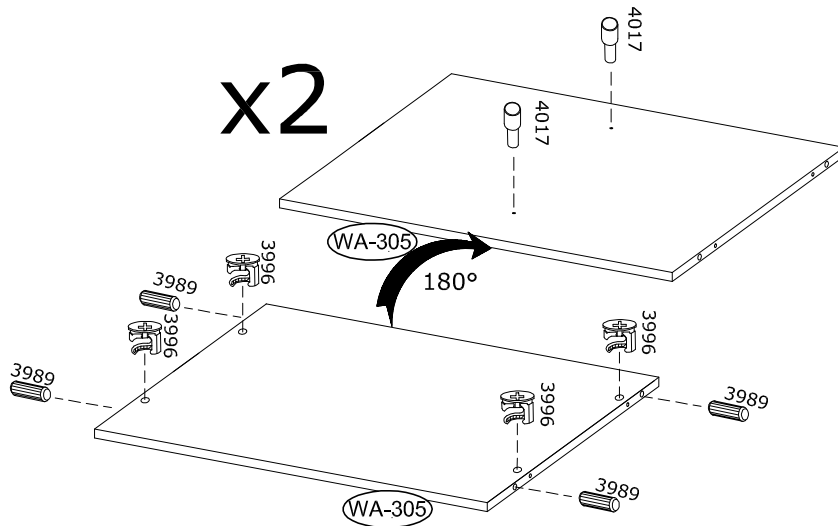


x8


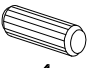

4017

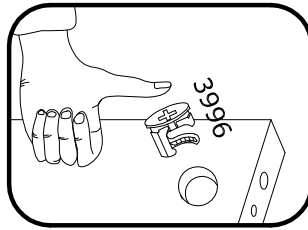
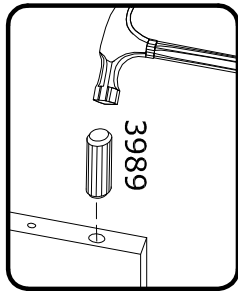
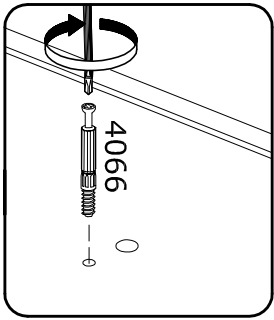
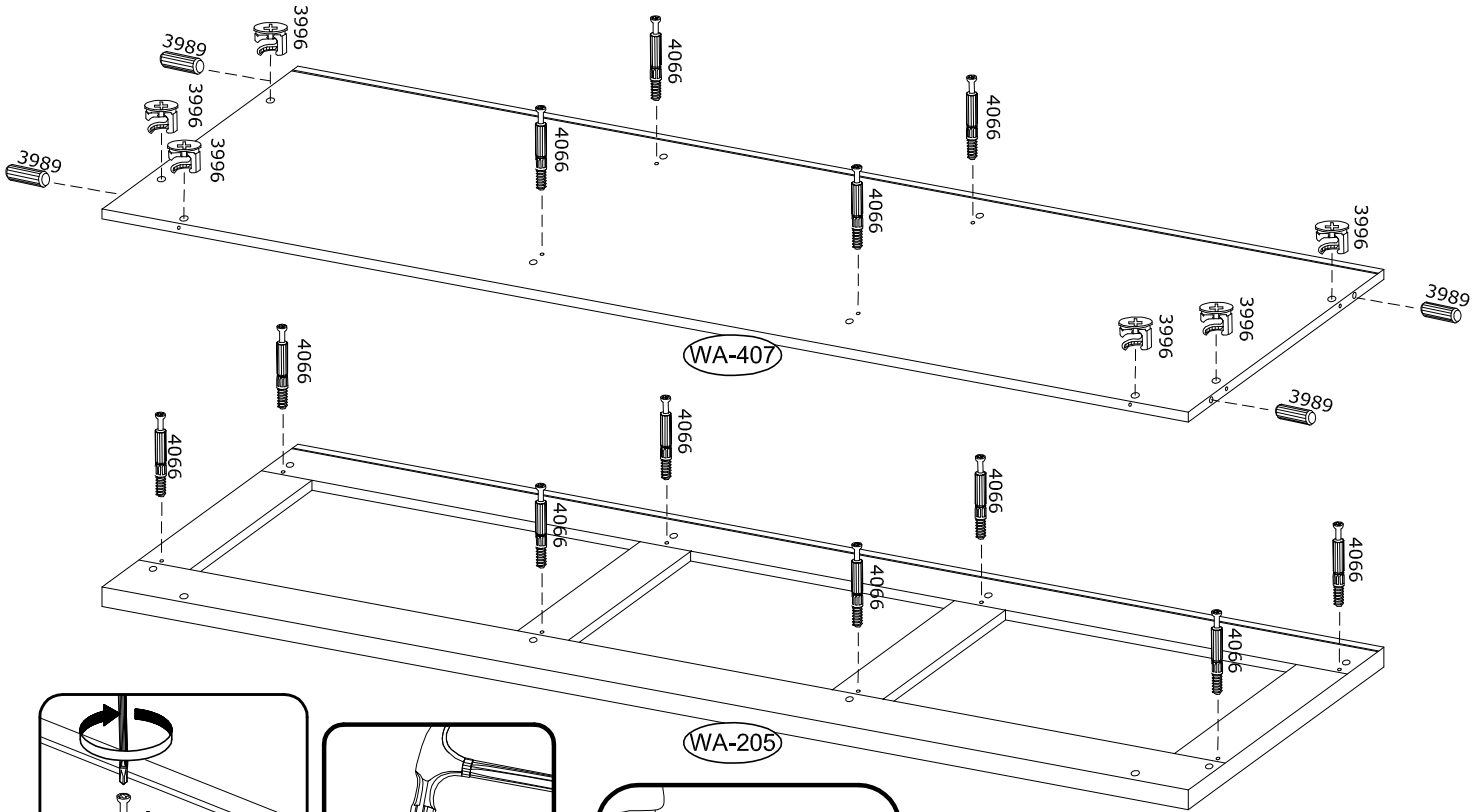
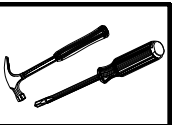


x4




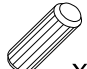


3.

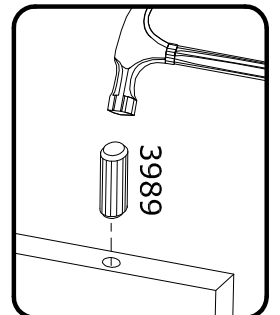
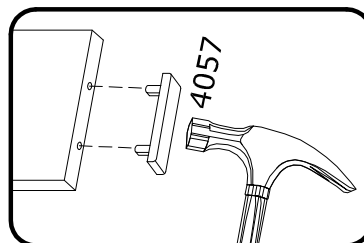
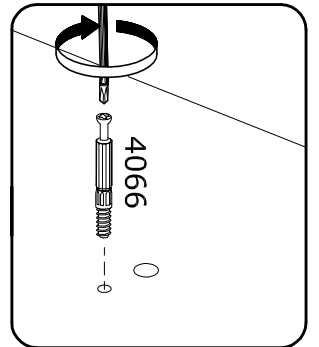
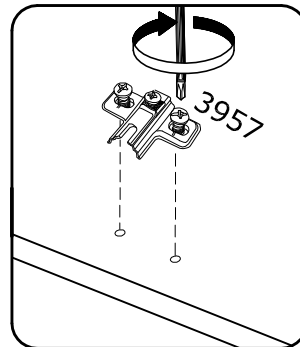
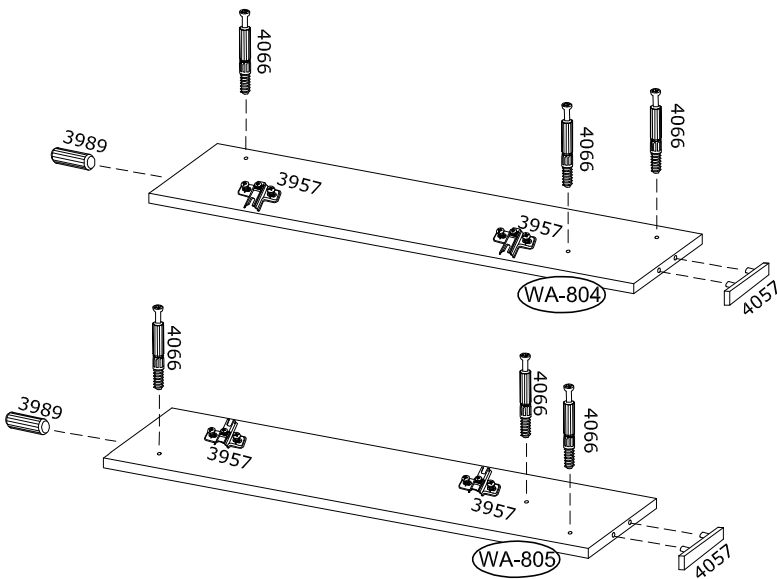
3996  x6	3989  x4	4066  x12
--	--	---



WA-205

4.

4057  x2	3989  x2	4066  x6	3957  x4
---	---	---	---



5.

4057



x2

3989

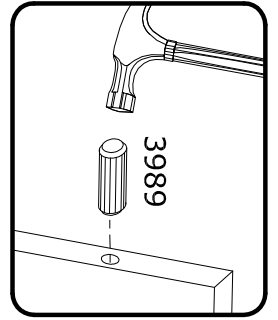
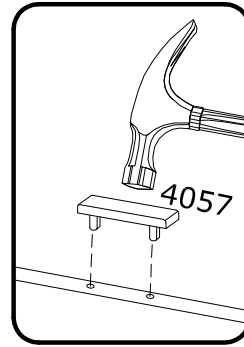
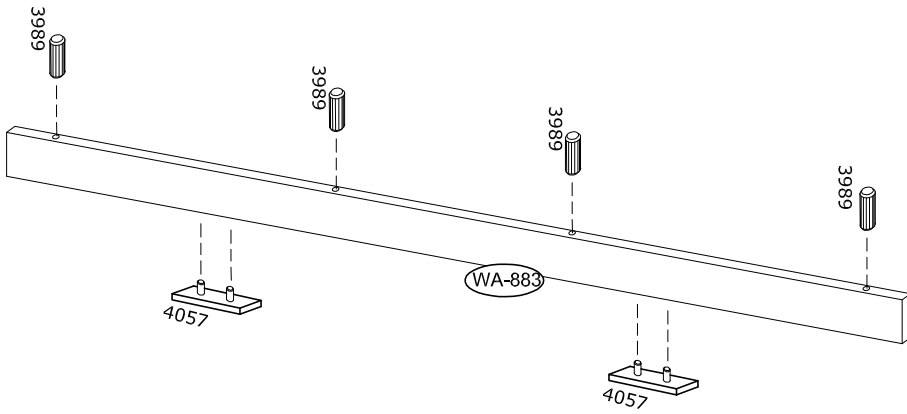


x4

3983



x1



6.

3918



x8

3964



x4

3974



x4

3896

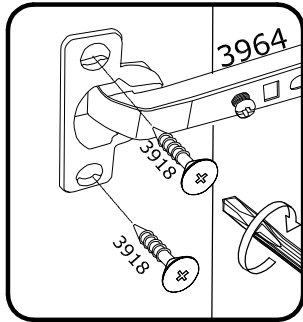
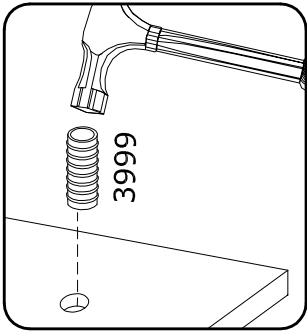
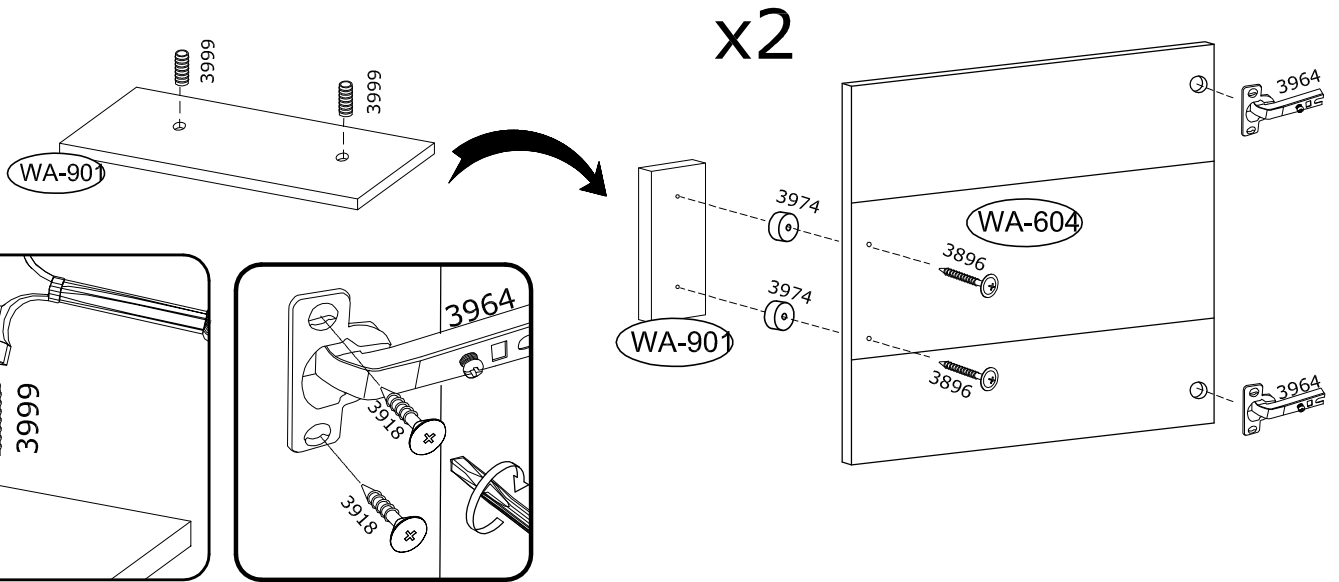


x4

3999



x4



7.

136236

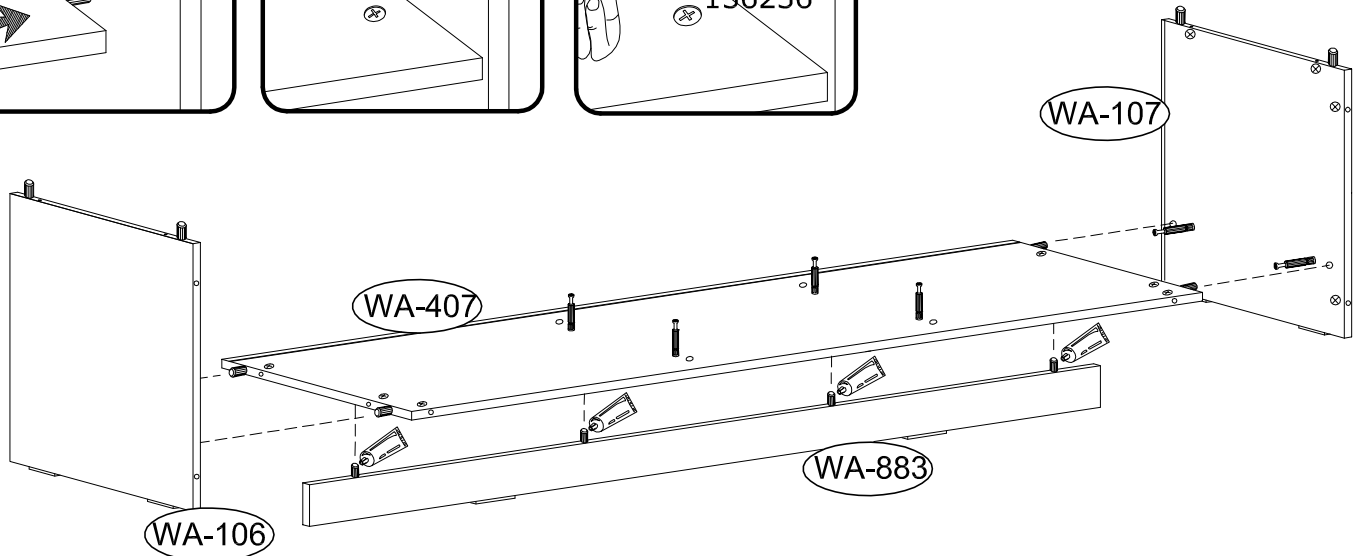
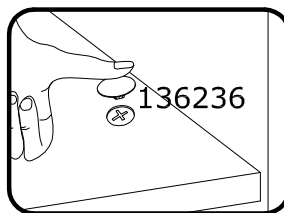
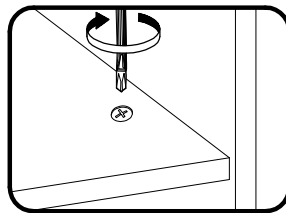
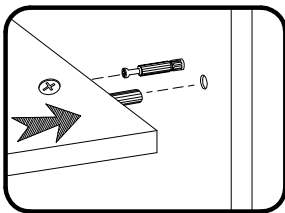


x4

3983



x1

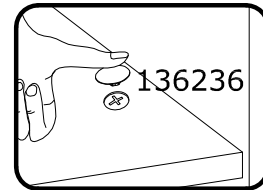
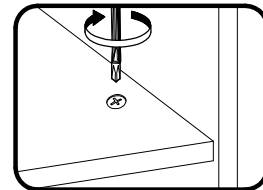
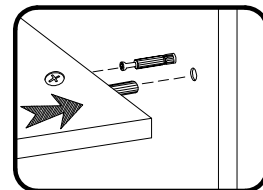
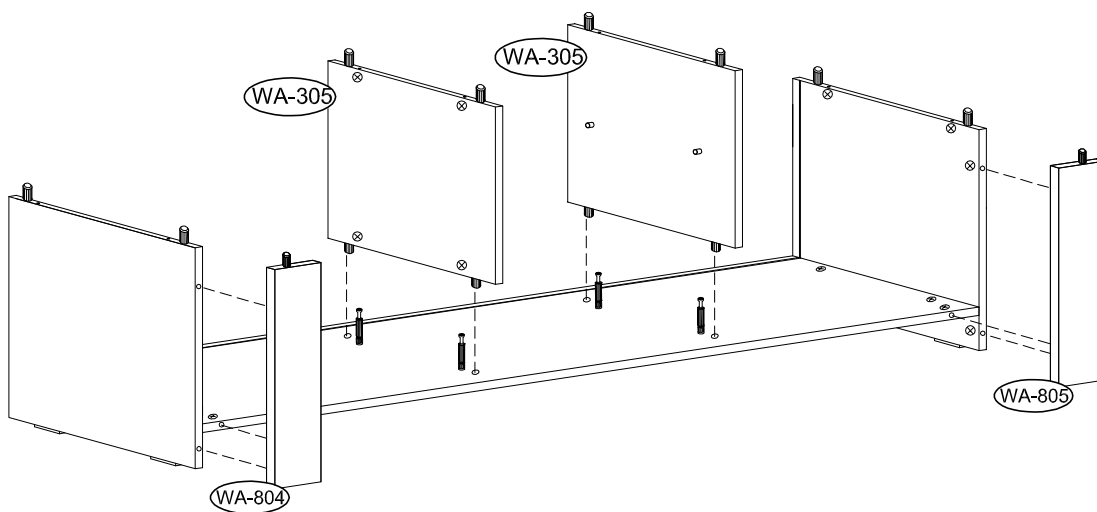


8.

136236



x10

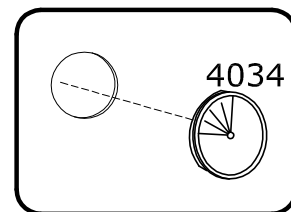
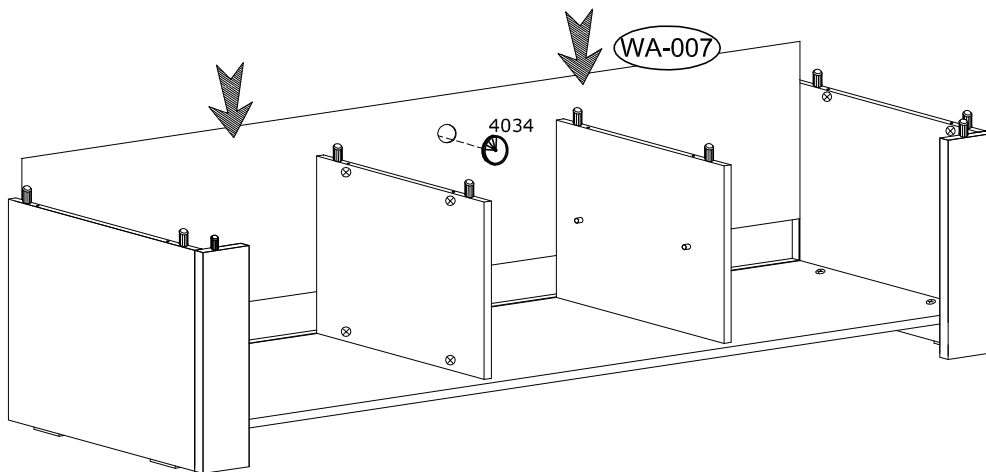


9.

4034



x1

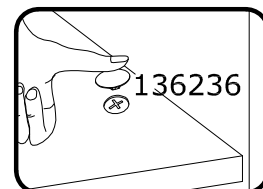
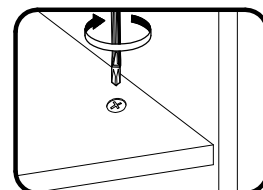
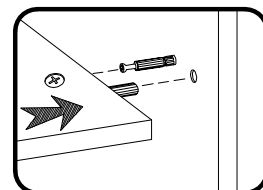
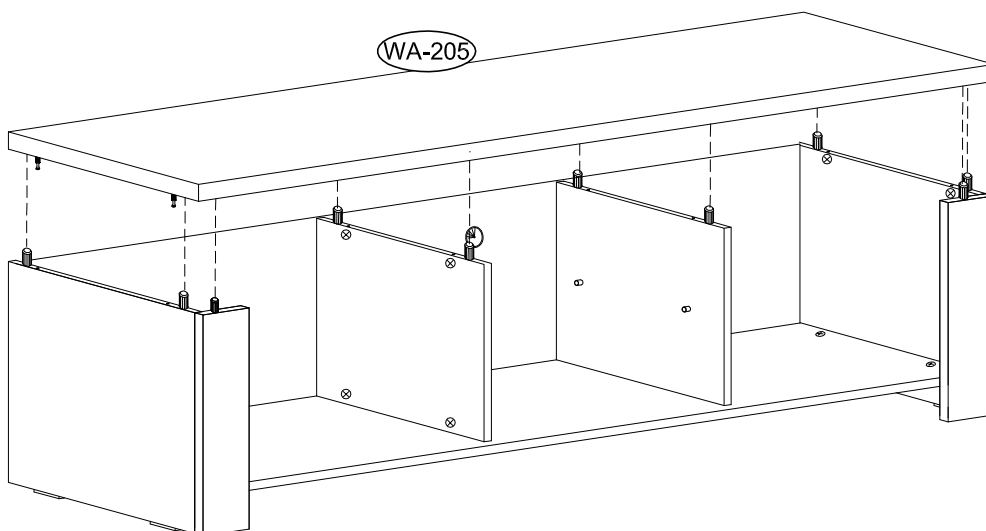


10.

136236

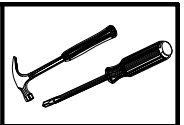


x8

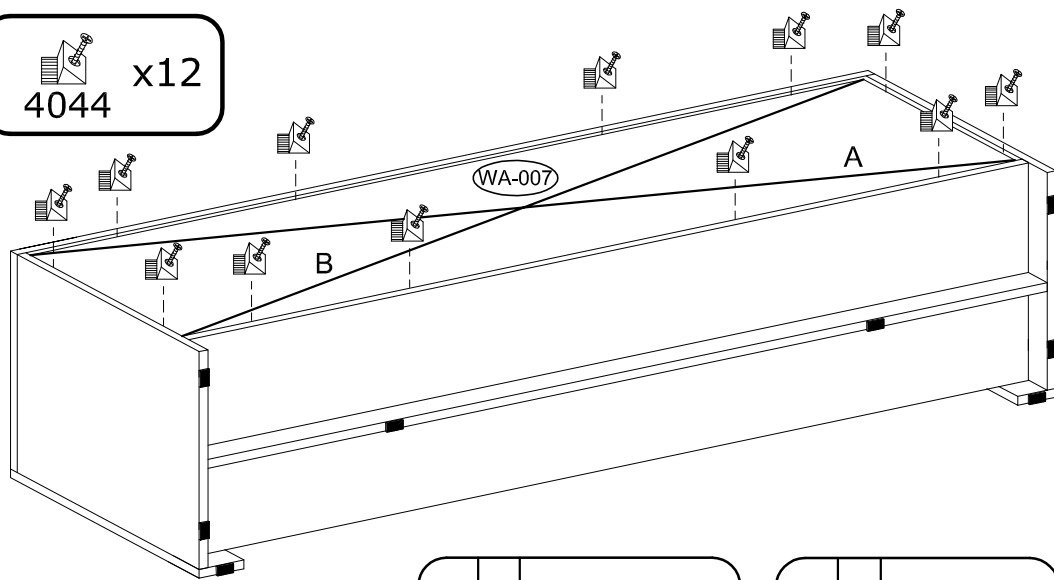


11.

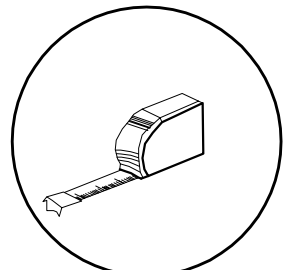
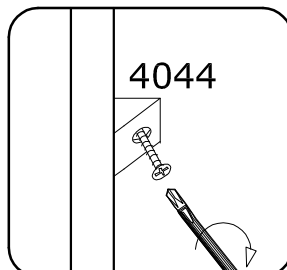
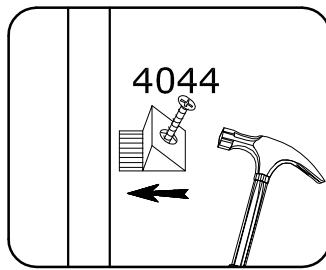
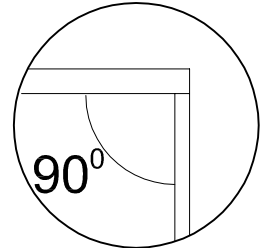
4044
x12



4044 x12



A=B



12.

